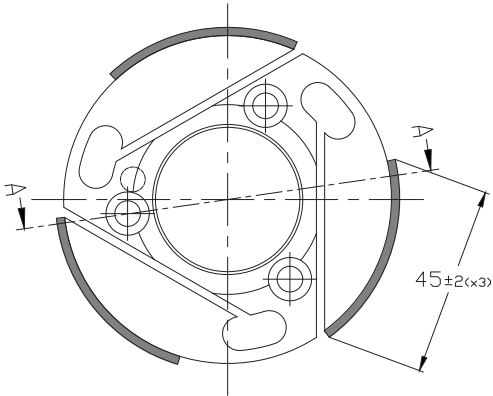
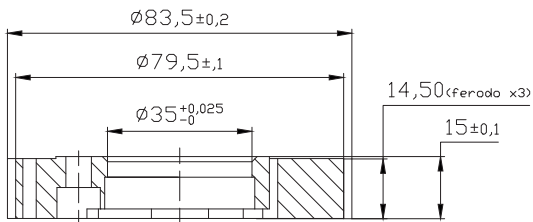


DESSIN TECHNIQUE N°26

Embrayage (Mini)

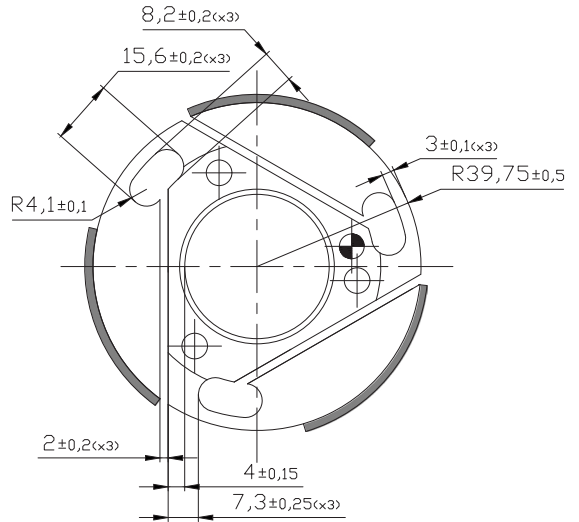


A-A



TECHNICAL DRAWING No. 26

Clutch (Mini)



**Cotes en mm
Dimensions in mm**